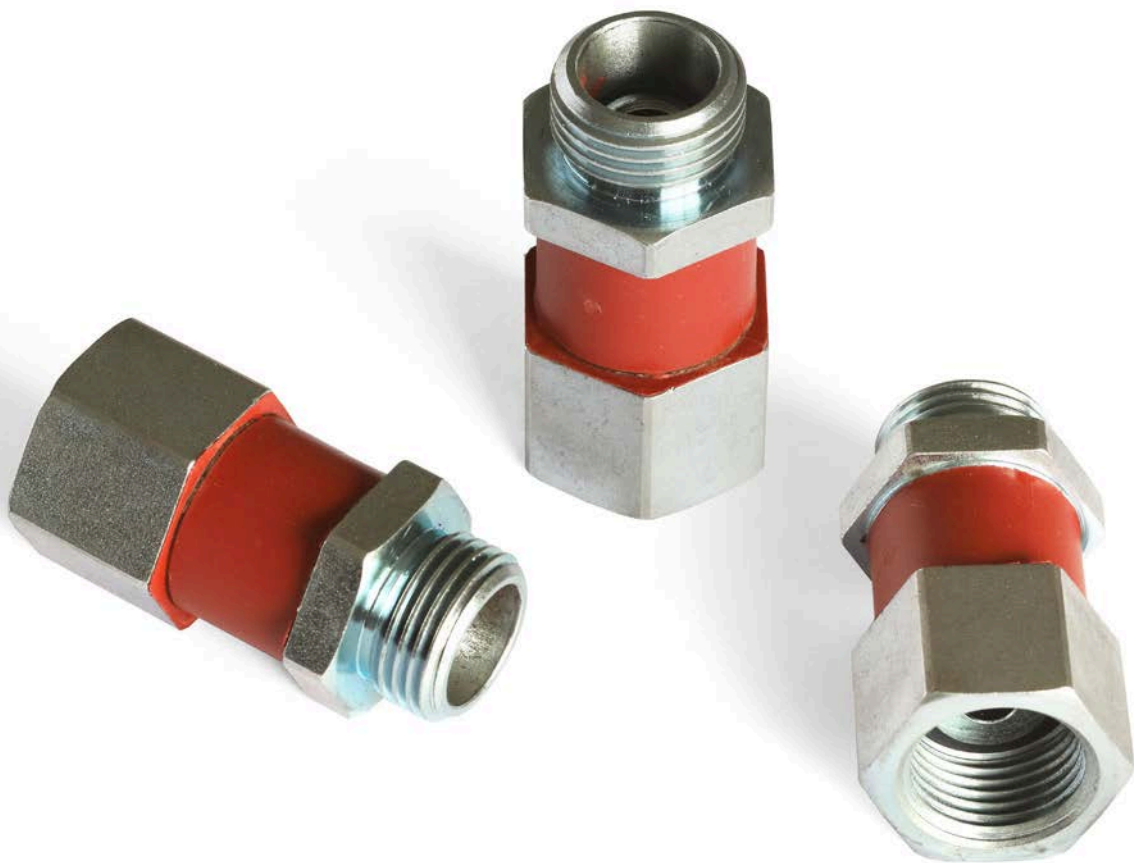


Flexible suction cup mounting eT-Flex

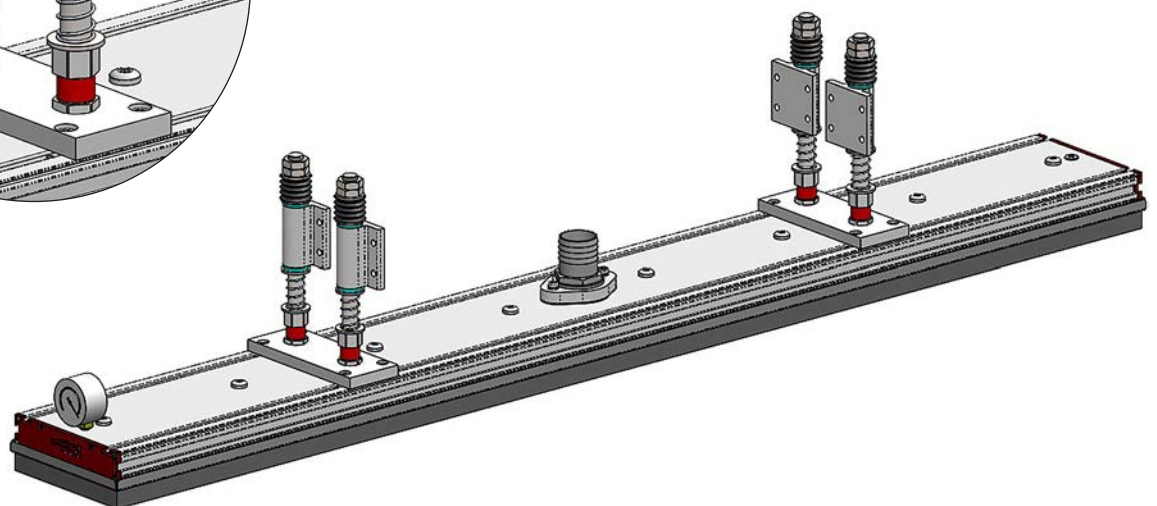
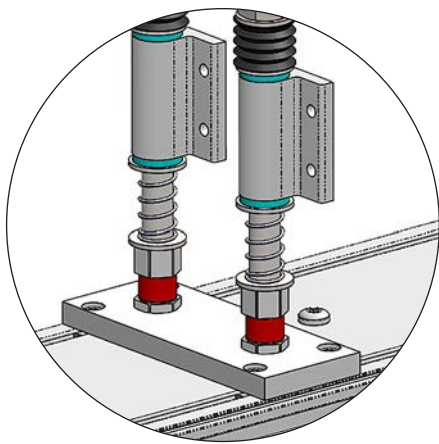
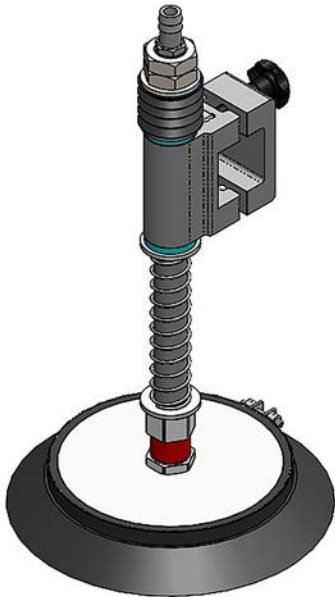
Movable mount
for adaptation to
uneven surfaces



eT-Flex

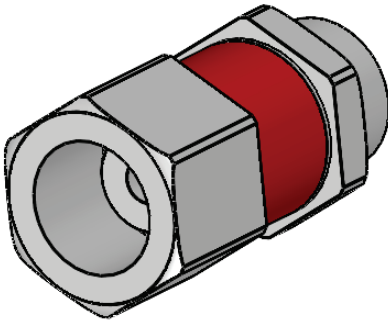
eT-Flex is the practical and efficient rubber joint for flexible mounting of the suction cup on the suspension bolt.

With eT-Flex, suction plates and suction boxes are optimally and sustainably adapted to your workpieces with uneven, sloping or complex surfaces. Thanks to its flexibility up to an angle of 18°, the suction gripper always lies flat on the workpiece, thus increasing transport safety, stability and reliability.



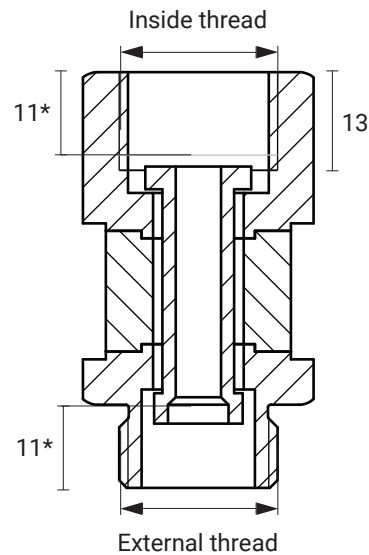
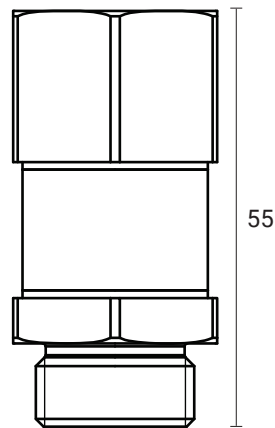
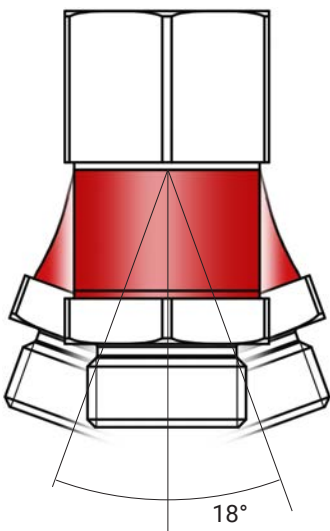
- Available in 3 versions:
 Inside thread: G1/2", External thread: G1/2"
 Inside thread: G1/2", External thread: M20 x 1.5 mm
 Inside thread: M20, External thread: M20
- Suitable for handling workpieces with uneven, sloping or crooked surfaces made of glass, wood, metal or plastic, or sagging material
- Automatic reset thanks to rubber-metal joint
- Heavy-duty and low-wear design, weight- and space-saving
- Can be used with all standard suction cup systems
- Easy to replace

eT-Flex

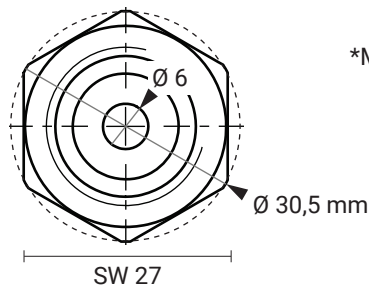


Item no.	B017136	M018730	M019081	M019000
Inside thread	G1/2"	M20 x 1,5 cm	M20	M20 x 1,5 cm
External thread	G1/2"	G1/2"	M20	M20 x 1,5 cm
Vertical load	4000 N			
Bending moment	50 Nm			
Angle	18°			
Operating temperature	9 ... 70° C 48.2°... 158° F			
Overall length	55 mm			
SW	27			
Maximum screw-in depth	11 mm			
Weight	116 g			
Material	NBR/Steel zinc-plated			

Subject to technical changes.



*Maximum permissible screw-in





**Efficient handling and
transport solutions**
with vacuum technology

euroTECH Handling GmbH
Maybachstr. 7
D-72348 Rosenfeld, Germany
Phone +49 7428 93912-0
info@et-handling.de
www.et-handling.com

