

Suction plates **BSPM**



For secure suction  
of textured surfaces  
on clamping blocks

## Suction plates BSPM

Our BSPM suction plates for use on clamping blocks are specially designed for handling rough and textured surfaces. They are equipped with a circumferential, fine-pored sealing lip that adapts precisely to the structure of the workpiece, thereby optimizing the holding force.

The soft sealing lip and a slip-resistant and elastic surface coating ensure gentle suction that leaves no marks. The suction plates are attached to the block body with cylinder pins, enabling quick and flexible use and replacement. The suction plates have a central bore for the vacuum connection.

- Suitable for workpieces with textured surfaces made of glass, wood, metal, or plastic
- Heavy-duty and low-wear design, weight- and space-saving
- Can be used on all standard vacuum clamping blocks
- Easy to replace

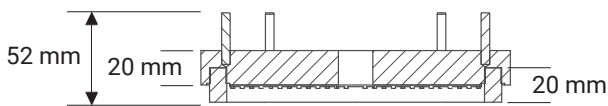
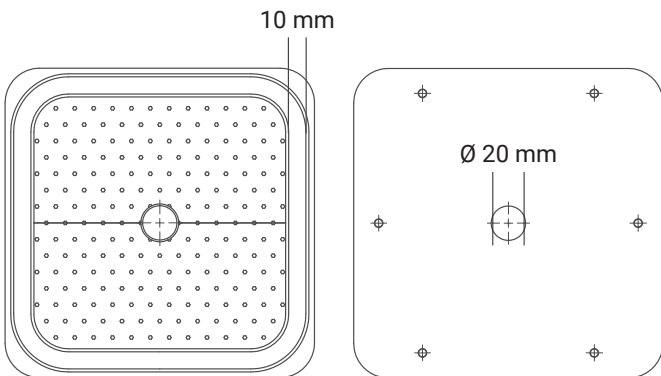
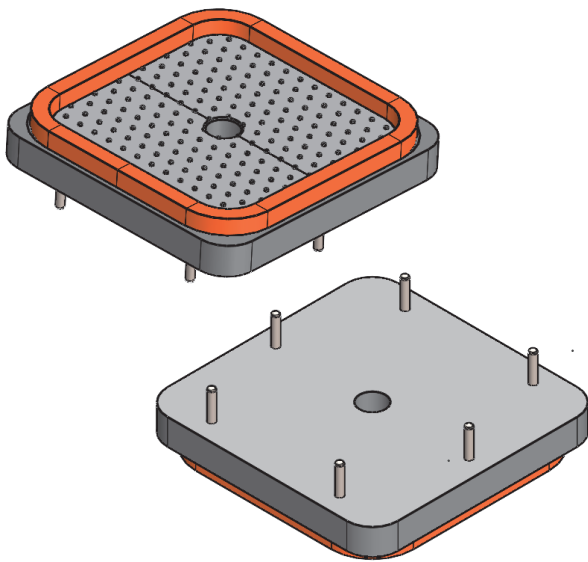


## Suction plates BSPM

Item number	B018594	B018539	B018694
<b>Suction plate type</b>	<b>BSPM</b> 110 x 165	<b>BSPM</b> 150 x 200	<b>BSPM</b> 180 x 180

Base plate material	Aluminium		
Base plate size W x L x H	110 x 165 x 20 mm	150 x 200 x 20 mm	180 x 180 x 20 mm
Base plate equipment	Borehole: Ø 20 mm 6 Cylinder pins 5 x 30 mm		
Seal material	Fine-pored sponge rubber, orange		
Seal size W x H	10 x 20 mm		
Inner lining material	Warp beam NR white		
Total height	52 mm		

Subject to technical changes.



We are happy to offer other suction plate sizes and shapes on request.



**Efficient handling and  
transport solutions**  
with vacuum technology

euroTECH Handling GmbH  
Maybachstr. 7  
D-72348 Rosenfeld, Germany  
Phone +49 7428 93912-0  
info@et-handling.de  
[www.et-handling.com](http://www.et-handling.com)

